



The County™

PRINCE EDWARD COUNTY ♦ ONTARIO

PRINCE EDWARD COUNTY ADDENDUM No. 3

Date: Thursday, April 17, 2019
Contract: 2019-EDW-01
**AMELIASBURGH WATER TREATMENT PLANT PROCESS
PIPING UPGRADES**

I. DIRECTIVE

This Addendum shall form an integral part of the plans and specifications for the above-mentioned project and shall be read in conjunction therewith. This Addendum shall, however, take precedence over all requirements of the previously issued drawings, specifications, or addenda with which it may prove at variance, unless otherwise clarified by the Engineer.

II. PART A – INSTRUCTIONS TO BIDDERS

1. Part A – Instructions to Bidders – Section 5 – Inquiry and Site Visit (*pg 8 of 41*)
The last date and time to submit questions is 1:00:00 p.m., Local Time, Thursday, April 18, 2019.

III. PART B - STANDARD TERMS AND CONDITIONS

1. Part B – Standard Terms and Conditions, at the end of *pg 23 of 41*

Add Section 32 – Liquidated Damages, as follows:

It is agreed by the parties to the Contract that in the case that all the work called for under the Contract is not completed within the dates included, a loss or damage will be sustained by the Owner. Since it is, and will be impracticable and extremely difficult to ascertain and determine the actual loss or damage which the Owner will suffer in the event of and by any reason of such delay, the parties hereto agree that the Contractor will pay to the Owner the sum of **\$1,500** as liquidated damages for each and every calendar days delay in finishing the work in excess of the required completion dates prescribed herein. It is agreed that this

amount is an estimate of the actual loss or damage to the Owner, which will accrue during the period in excess of the prescribed substantial performance dates.

In addition to liquidated damages, the Contractor shall also be liable to reimburse the Municipality its costs for additional administration, supervision, and inspection. The Contractor will also be responsible for the payment of any fines that the Ministry may impose on the Municipality due to a delay in the completion date.

The Owner may deduct any amount under the above paragraph from any monies that may be due or payable to the contractor on any account whatsoever. The liquidated damages payable under this paragraph are in addition to, and without prejudice to, any other remedy, action or other alternative that may be available to the owner.

An application by the Contractor for an extension of time as herein provided shall be made to the Contract Administrator, in writing, at least fifteen days prior to the date of completion fixed by the contract. All bonds or other surety furnished to the Owner by the Contractor shall be amended where necessary at the expense of the Contractor to provide coverage beyond the date of any extension of time granted, and the Contractor shall furnish the Owner with evidence of such amendment of the bonds or other surety.

Any extension of time that may be granted to the Contractor shall be so granted and accepted without prejudice to any rights of the Owner whatsoever under this contract. All such rights shall continue in full force and effect after the time limited in this contract for the completion of the work and whenever, in this contract, power and authority is given to the Owner or the Contract Administrator or any person to take any action consequent upon the act, default, neglect, delay, non-observance or non-performance by the Contractor in respect of the work or contract, or any portion thereof. Such powers or authorities may be exercised from time to time, not only in the event of the happening of such contingencies before the time limited in this contract for the completion of the work, but also in the event of the same happening after the time so limited, in the cause of the Contractor being permitted to proceed with the execution of other work under an extension of time granted by the Contract Administrator.

The Contractor will not be assessed with liquidated damages for any delay caused by Acts of God or of Public Enemy, Acts of the Province or any Foreign State, Fire, Floods, Epidemics, Quarantine Restrictions, Strikes, Embargoes or delays of subcontractors due to such causes.

2. Part B – Standard Terms and Conditions, at the end of *pg 23 of 41*

Add Section 33 – Completion Date

The anticipated award date of the project is mid-June 2019. Completion dates are set as follows:

- a) Substantial Performance – November 8, 2019
- b) Completion Certificate – December 13, 2019

Time shall be of essence for this Contract.

IV. PART D – FORM OF TENDER

1. Part D – Form of Tender, Agreement to Contract and Schedule of Prices, page 34 of 41. Replace the existing form with the attached updated form with the current Mayor Steven Ferguson.

V. RESPONSE TO QUESTIONS

1. **Question:** I am trying to find the correct detail or cut sheet for the Eductor's and cannot find the specific Part # noted in Addendum 1. I have found the attached cut sheets on line and don't know which is correct. We need to know the following:
Do they have threaded or flanged ends?

Response: Threaded ends.

2. **Question:** Per the details, one of the inline ends is either 1-1/2" or 2", and the branch is 2-1/2". So which end is smaller? Dwg P103 shows it as 2-1/2" Straight thru (looks like 3", but I can assume reducing tee's). If the Branch is 2-1/2", does it immediately reduce to 1-1/2" to connect to the threaded Check & ball valves?

Clarification Response: Please refer to drawing excerpt from Tender Drawing P103 below for clarification. Also, refer to attached Eductor sizing cutsheet and drawing included as part of Addendum 3.

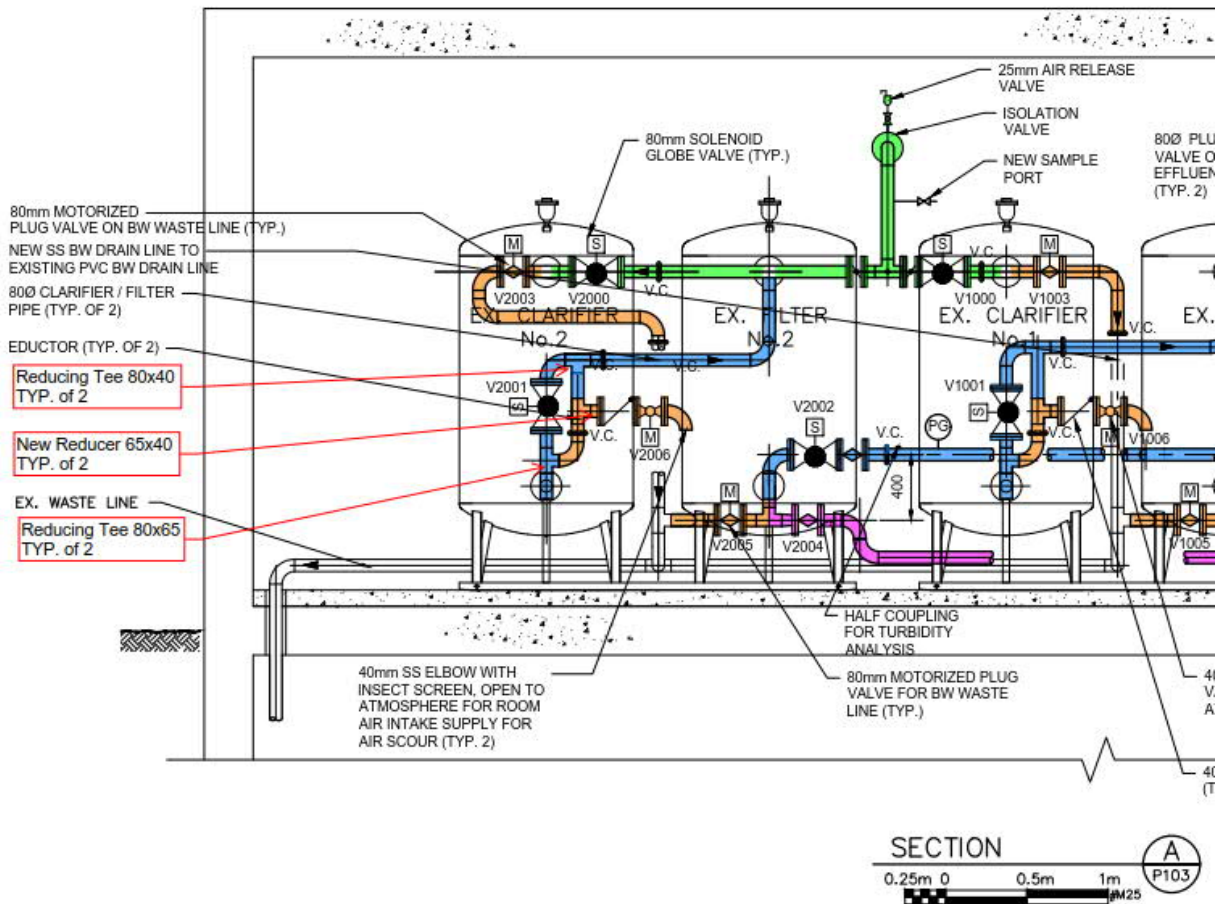


Figure 1-1: Drawing Excerpt taken from Tender Drawing P103; Rev C.

In-Line Educator Application Sizing

Section:	E300
Bulletin:	E300.1
Date:	01/13/12
Supersedes:	07/31/09

Date:	_____	Quotation:	_____
Company:	_____	From:	_____
Attention:	_____	Phone:	_____
Phone:	_____	E-mail:	_____
E-mail:	_____	Reference:	_____
Reference:	_____	Model:	_____
		Size:	_____
		Mat'l:	_____
		Part No:	_____

Item:	Tag No:	Price:	Del'y:	wks
-------	---------	--------	--------	-----

Motive Conditions:

Units:	Media:	Pressure:	Flow:	Temperature:	Sp.Gr. / Density:	Other:	Connection	Size:	Type:
	(all)	(all)	(all)	(h)			<u>Customer Supplied Information:</u>		<u>Quoted Unit Performance:</u>

Suction Conditions:

Units:	Media:	Pressure:	Flow:	Temperature:	Sp.Gr. / Density:	Other:	Connection	Size:	Type:
	(all)	(all)	(all)	(h)			<u>Customer Supplied Information:</u>		<u>Quoted Unit Performance:</u>

Outlet Conditions:

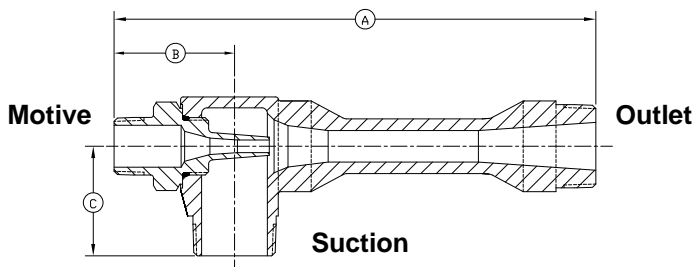
Units:	Pressure:	Temperature:	Other:	Connection	Size:	Type:
	(all)	(h)		<u>Customer Supplied Information:</u>		<u>Quoted Unit Performance:</u>

Key: pl=pumping liquids pg=pumping gases h=heating ps=pumping slurries p=pneumatic transport

Application Notes:

- 1)
- 2)
- 3)

Dimensions	
A	_____
B	_____
C	_____



MATERIAL: SEE B/M
 DRAWN: MBV CHECKED: DEP
 SCALE: NONE DATE: 9/13/00

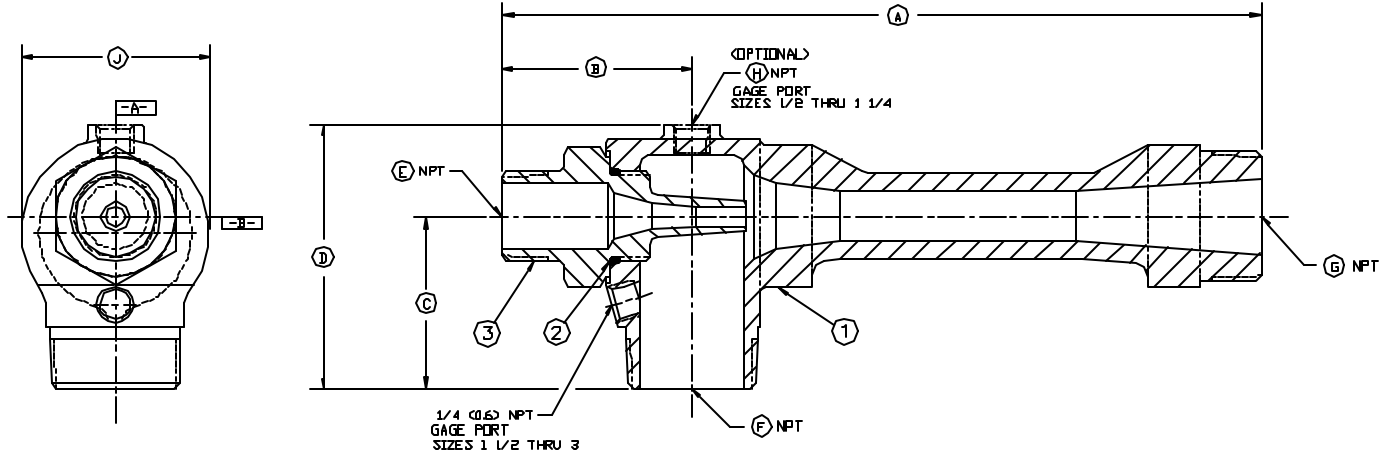


ASSEMBLY EDUCTORS
 STANDARD NPT CONNECTIONS

Section: E400
 Bulletin: E400 1
 Date: 9/13/00
 Supersedes: NEW

FILE NO.: E400-01.DWG

ITEM	DESCRIPTION
1	BODY
2	O-RING, NOZZLE
3	NOZZLE

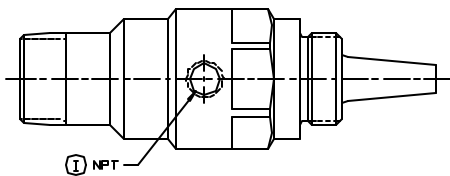


STANDARD CAST UNIT

MODEL	SIZE	INCHES (CM)										NOZZLE GAGE PORT ANGULAR LOCATION		
		A		B		C	D	E	F	G	H		I	J
W/STANDARD NOZZLE	W/GAGE PORT NOZZLE	W/STANDARD NOZZLE	W/GAGE PORT NOZZLE											
SL	1/2	4.300 (11.4)	6.000 (15.2)	1.825 (4.1)	3.125 (7.9)	1.250 (3.2)	2.000 (5.1)	1/4 (0.6)	1/2 (1.3)	1/2 (1.3)	1/8 (0.3)	1/8 (0.3)	1.250 (3.2)	B
ML,HL,SG,HG,MLH,MLE	3/4	5.875 (14.9)	7.525 (19.4)	2.000 (5.1)	3.750 (9.5)	1.500 (3.8)	2.375 (6.0)	3/8 (1.0)	3/4 (1.9)	3/4 (1.9)	1/4 (0.6)	1/8 (0.3)	1.800 (3.8)	B
SL	1	7.125 (18.1)	9.125 (23.2)	2.250 (5.7)	4.250 (10.8)	1.750 (4.4)	2.750 (7.0)	1/2 (1.3)	1 (2.5)	1 (2.5)	1/4 (0.6)	1/8 (0.3) *	1.750 (4.4)	B
NL,HL,SG,HG,NLH,UJ,MLE	1 1/4	9.000 (22.9)	11.250 (28.6)	2.500 (6.4)	4.750 (12.1)	2.250 (5.7)	3.375 (8.6)	3/4 (1.9)	1 1/4 (3.2)	1 1/4 (3.2)	1/4 (0.6)	1/4 (0.6) *	2.250 (5.7)	B
SL,ML,SG,HG,MLH,MLE	1 1/2	11.000 (27.9)	13.500 (34.3)	2.750 (7.0)	5.250 (13.3)	2.500 (6.4)	3.888 (9.4)	1 (2.5)	1 1/2 (3.8)	1 1/2 (3.8)	-	1/4 (0.6) *	2.750 (7.0)	A
HL,UJ	2	14.375 (36.5)	17.375 (44.1)	3.125 (7.9)	8.125 (18.6)	3.000 (7.6)	4.438 (11.3)	1 1/4 (3.2)	2 (5.1)	2 (5.1)	-	1/4 (0.6) *	3.562 (9.0)	A
SL,ML,SG,HG,MLH,MLE	2 1/2	18.125 (46.0)	21.825 (54.9)	3.500 (8.9)	7.000 (17.8)	4.125 (10.5)	6.000 (15.2)	1 1/2 (3.8)	2 1/2 (6.4)	2 1/2 (6.4)	-	1/4 (0.6) *	4.750 (12.1)	A
HL,UJ	3	23.875 (60.8)	27.875 (70.8)	4.000 (10.2)	8.000 (20.3)	5.000 (12.7)	7.312 (18.6)	2 (5.1)	3 (7.6)	3 (7.6)	-	1/4 (0.6) *	8.062 (15.4)	A

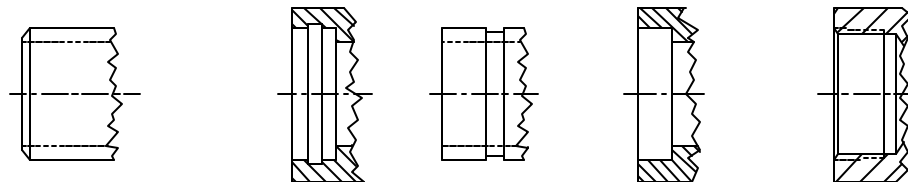
* ULW IS 1/8

OPTIONAL GAGE PORT NOZZLE



GAGE PORT SHOWN IN LOCATION B

OPTIONAL CONNECTIONS FOR GAGE PORT NOZZLE



SCH 80 BUTT WELD

SILBRAZE

VICTAULIC

SOCKET WELD

FEMALE NPT

**PART D - FORM OF TENDER
AGREEMENT TO CONTRACT AND SCHEDULE OF PRICES - continued**

Furthermore, it is certified that the undersigned is/are authorized and empowered to sign and submit this TENDER.

Company: _____
(Name)

(Street Address or Postal Box Number)

(MUNICIPALITY, Province, and Postal Code)

Signature: _____
(I have the authority to bind the corporation)

Print Name and Title: _____

Dated at _____ this _____ day of _____, 2019

(Company Seal)

**The Corporation of the County of Prince Edward
332 Main Street, K0K 2T0**

Signature: _____
(I have the authority to bind the corporation)

Steven Ferguson, Mayor: _____

Dated at _____ this _____ day of _____, 2019

Kim White, Clerk: _____

Dated at _____ this _____ day of _____, 2019

(Company seal)

THIS DOCUMENT MUST BE SIGNED AND SEALED BY THE BIDDER AND SUBMITTED TO BE A VALID OFFER OR THE TENDER WILL BE REJECTED. THE COUNTY WILL SIGN AND SEAL ONLY THE SUCCESSFUL AND SELECTED TENDER.